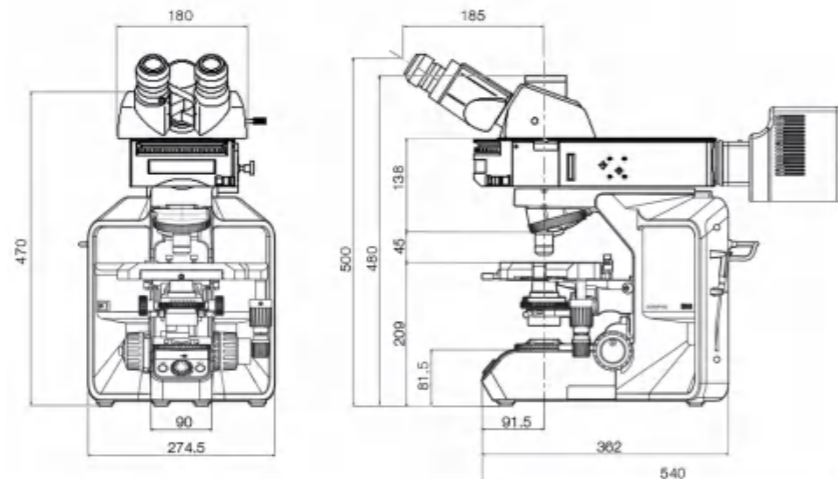


Item No.	MF43-N	
Eyepiece	Wide field 10X/25, diopter is adjustable	
Observation tube	30° inclined hinged trinocular head, high eyepoint, pupil distance 50-75mm	
Infinity plan semi-apochromatic fluorescence objectives	M-UPLFLN 4X/0.13 ;WD:17.15mm	
	M-UPLFLN 10X/0.3 ;WD:7.68mm	
	M-UPLFLN 40X/0.75 ;WD:0.78mm	
	M-UPLFLN 100XO/1.30 ;WD:0.15mm	
Epi-fluorescence illuminator	Broad spectrum high power LED light source (mercury lamp is optional)	
	Power box: Digital LED power box, alternating current 110V or 220V	
	Sextuple fluorescence module with BGU filter groups (others are optional)	
	Excitation group	Excitation wavelength
	FB-U-M	EX:375/30nm; DM:415nm; EM:460/50nm
FB-B-M	EX:475/30nm; DM:505nm; EM:530/40nm	
FB-G-M	EX:540/25nm; DM:565nm; EM:605/55nm	
Nosepiece	Quintuple nosepiece	
Stage	Ceramic-coated coaxial stage with left or right hand low drive control Movement range:80mm×50mm, 1mm/unit, accuracy 0.1mm	
Transmitted lighting	Warm white LED, brightness continuous adjustable	
	Abbe condenser, N.A. 1.1	
Dust cover	MSHOT dust cover	

### ► MF43-N Dimension



# Research Level Fluorescence Microscope MF43-N



## Ergonomic design, convenient and efficient

### • Low torque stage

The low fixed stage and objective focusing device improves operation comfort, tiny hand movements can easily adjust the position of the specimen and reduce operation fatigue.



### • Observation tube

Wide field of view trinocular tube, max. 26.5mm number of field of vision, with FN25 wide field of objective can satisfy different users' requirement.



### • Light intensity management

The light intensity management sets the light intensity matching with different objectives. From low to high times it keeps the same brightness of field of vision. No need to adjust the light intensity manually and repeatedly.



### • Fluorescence illuminating system

Long life, wide spectrum and high power LED light source, not only brightness is uniform but also is easy to maintain. Covers the wavelength range of 350nm-760nm, which can be turned on or off without preheating.



### • Sextuple fluorescence module

Matched with high-quality band-pass filter group, high performance filter can make fluorescence observation more efficient, bright and even. The filter groups can be replaced without tools.



### • Semi-Apochromat FLN objective

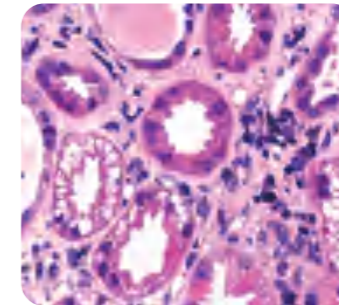
Adopt multi-layer coating technology, specially designed for high resolution and high contrast imaging, the fluorescence performance of high sensitivity ensures the sharpness, clarity and color reduction of the collected image.



## Advanced design suitable for multiple observation methods

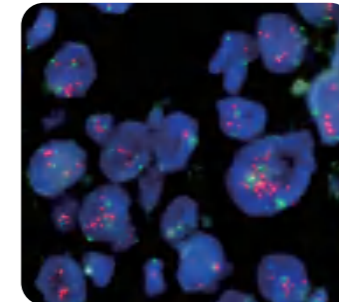
### ► Bright field observation

With high quality U-AC condenser for 20X~100X (oil) continuous observation, all magnification can achieve higher resolution and flat view.



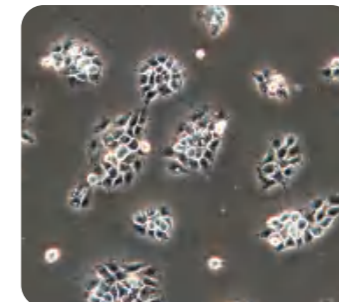
### ► Fluorescence observation

6-hole turntable fluorescent module supports replace the filter block independently, which has a wide range of applications and high signal-to-noise ratio. It is suitable for fish, fret or CTC detection fields.



### ► Phase contrast observation

The contrast image with high contrast can be used to observe the cell and living bacteria in close range and observe the phase difference effect of the specimen.



### ► Dark field observation

Show perfect dark field performance from low times to high times in fine details and can meet the observation requirements of biological tissue tiny details.

